

CERTIFICATION



HACCP International



ISO9001

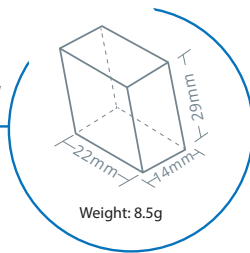
ICE MATE



SRM-270AB-14-B-501SA

ICE MAKER

HALF DICE



ICEMATE is committed to bringing high-efficiency / energy-saving, and high quality ice-making product to people who have dreams and desire to create their own business with the best scientific technology and manufacturing technology.

KEY FEATURES

SAFETY AND HYGIENE ASSURED ICE MACHINE

AUTO-CLEANING



Timely maintenance of water system can extend life of equipment.

PURE ICE

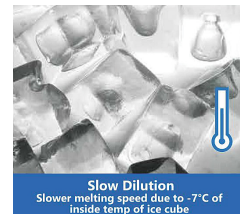


Overflow self-cleaning function, ensuring ice hygiene

IoT



Slow melt Dilution



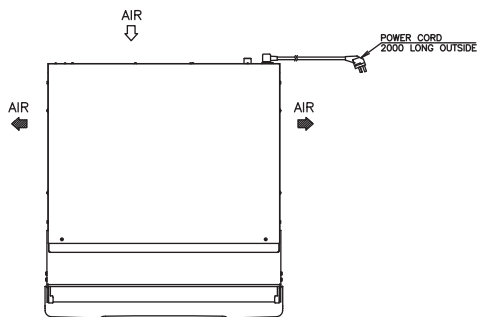
Slow Dilution
Slower melting speed due to -7°C of inside temp of ice cube

Powerful Ice Making

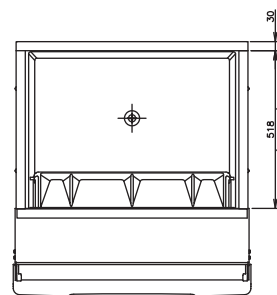


Energy & Water Saving, Quiet Operation

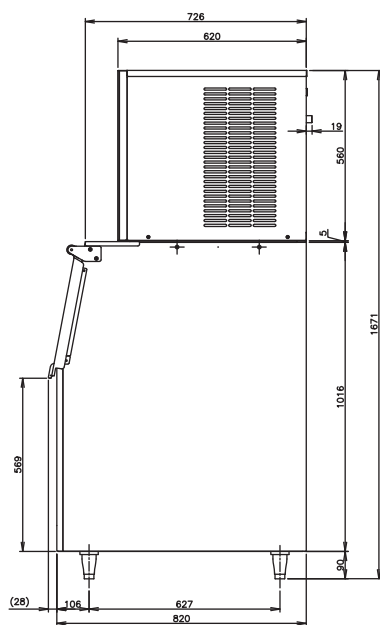




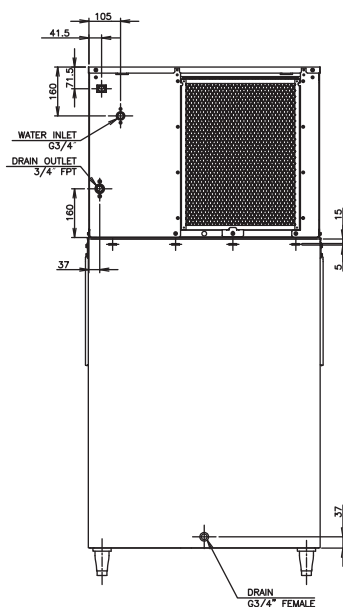
BIN TOP VIEW



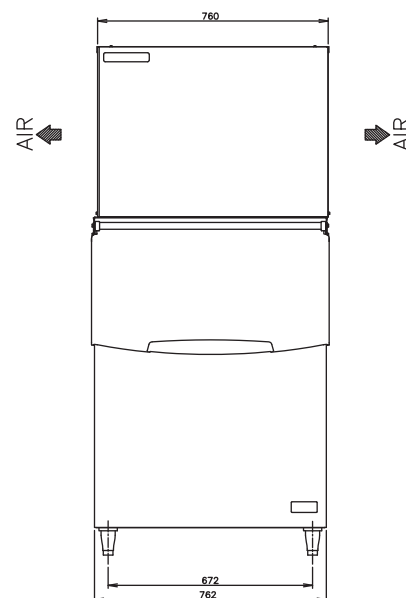
RIGHT SIDE



BACK SIDE



FRONT SIDE



SPECIFICATIONS

| | |
|--------------------------------|---|
| Ice Dimensions (W x D x H) | 29 x 14 x 22 mm |
| Outside Dimensions (W x D x H) | 762 x 820 x 1671 (~1701) mm |
| Package Dimensions (W x D x H) | Ice Maker: Pallet+Carton: 850 x 710 x 750mm Storage Bin: 866 x 924 x 1138mm |
| Weight (Net / Gross) | Ice Maker: 59kg / 78kg Storage Bin: 47kg / 57kg |
| Amperage / Starting Amperage | 4.96A/24A |
| Electrical Consumption | (AT32°C / WT21°C) 938.3W |
| Refrigerant Charge | R404A/620g |
| Ice Storage Capacity | Maximum 217kg |
| Ice Production per 24H | (AT10°C / WT10°C) Approx. 275 kg (AT21°C / WT15°C) Approx. 225kg (AT32°C / WT21°C) Approx. 183 kg |

| | |
|----------------------------------|--|
| Water Consumption per 24H | (AT32°C/WT21°C) 0.19m ³ (1.0L / kg Ice) |
| Ice Production Freeze Cycle Time | (AT21°C/WT15°C) 16.5 min |
| Ice Production per Cycle | (AT21°C/WT15°C) Approx. 2.57kg / 320pcs |

OPERATING CONDITIONS

| | |
|-----------------------|---------------------------------|
| Voltage Range | 198 - 242 V |
| Ambient Temperature | 5 - 38°C |
| Water Supply | 5 - 32°C |
| Water Supply Pressure | 0.07 - 0.55 Mpa (0.7 - 5.5 bar) |
| Supply Voltage | 1/220 - 240V / 50Hz |

